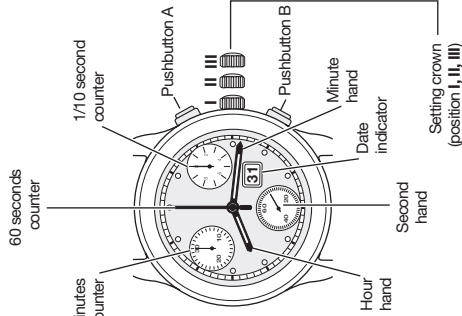


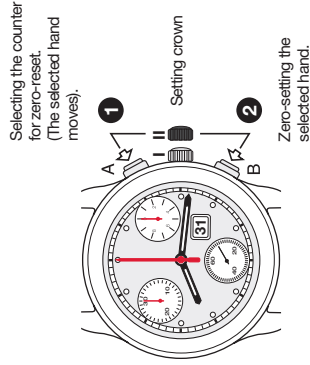
## DISPLAY

Watch hands



## SETTING THE COUNTERS TO ZERO

Setting crown in position II



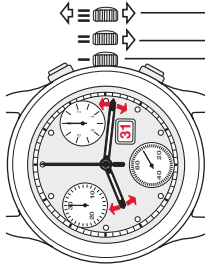
1 Selecting the counter for zero-reset. (The selected hand moves).

Setting crown

2 Zero-setting the selected hand.

## SETTINGS

Crown 3 positions



Normal running of watch

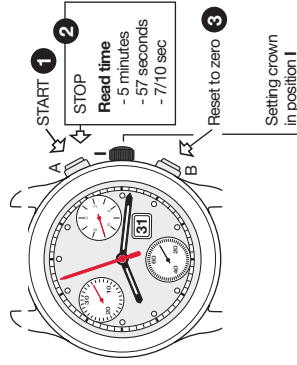
Rapid correction of the date  
Correcting time position: stop second and correction of the date at every passing of midnight

### Note

Setting crown in position III: STOP-SECOND

## TIMING MODE

Simple timing function



1 to 3 order of functions

### WARNING

Before starting the time, put back the chronograph hands to their original position. If necessary, see paragraph SETTING THE TIMERS TO ZERO.

## A

ETA G10.712

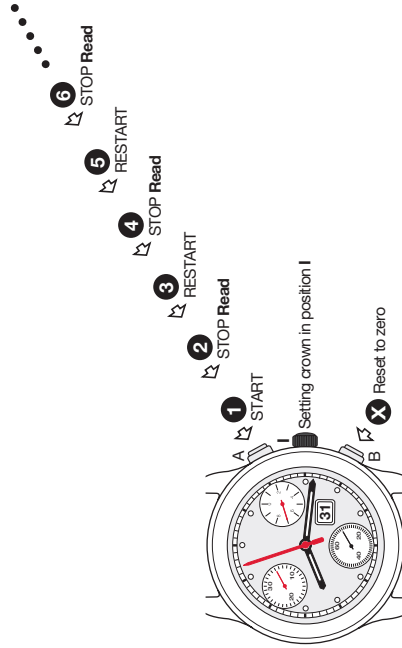


ETA SA Manufacture Horlogère Suisse  
depuis 1793

592 664 - 06.04.2014 / ETA / 00

## TIMING MODE

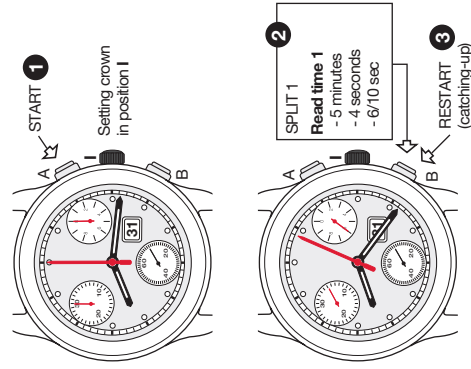
ADD function



1 to X order of functions

## TIMING MODE

SPLIT-TIME or INTERMEDIATE TIMES function



1 to Z order of functions